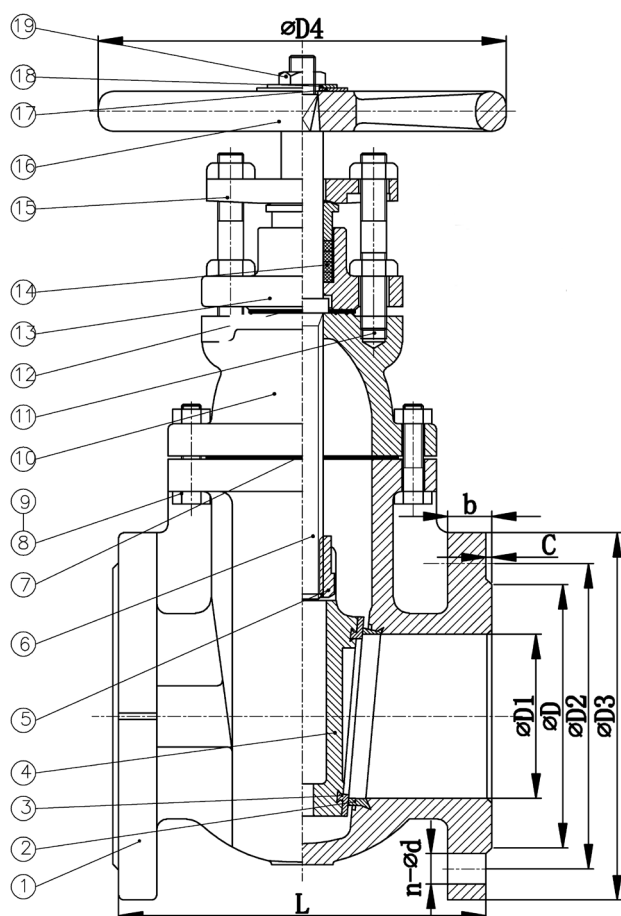


Cast Iron Flanged PN16 Metal Seat Gate Valve

- Cast iron body
- PN16 flanged ends
- Face to face BS 5150
- Non-rising stem



Working Temperature:
 -10°C to +120°C at 16 bar
 -10°C to +200°C at 12.8 bar



Maximum Working Pressure:
 16 bar

Dimensions

Size	DN	ØD	ØD1	ØD2	ØD3	ØD4	L	B	C	n - Ød	Kg
2"	50	99	51	125	165	178	178	20	3	4 - Ø19	14
2.1/2"	65	118	65	145	185	178	190	20	3	4 - Ø19	16
3"	80	132	80	160	200	200	203	22	3	8 - Ø19	19
4"	100	156	102	180	220	254	229	24	3	8 - Ø19	32
5"	125	184	127	210	250	300	254	26	3	8 - Ø19	38
6"	150	211	152	240	285	300	267	26	3	8 - Ø23	44
8"	200	266	203	295	340	348	292	30	3	12 - Ø23	65

Cast Iron Flanged PN16 Metal Seat Gate Valve

	Part Description	Material
1	Body	Cast Iron
2	Body Seat Ring	Cast Bronze
3	Wedge Ring	
4	Wedge	Cast Iron
5	Yoke Bushing	Cast Brass
6	Stem	Brass
7	Body Gasket	Graphite
8	Bolts	Steel
9	Nuts	
10	Bonnet	Cast Iron
11	Gland Follower Bolts	Steel
12	Stuffing Box Gasket	Graphite
13	Stuffing Box	Cast Iron
14	Packing	Graphite
15	Gland Follower	Ductile Iron
16	Handwheel	Cast Iron
17	Name Plate	A1
18	Washer	Steel
19	Handwheel Nut	